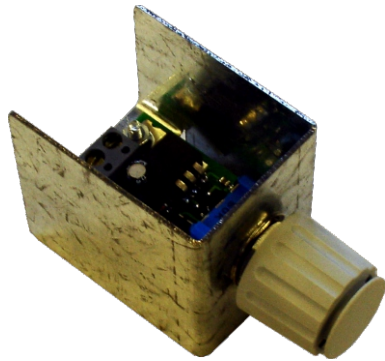


# DM-107

Dimmer



## 1. Main Information

DM-107 is a low-voltage regulator for series connection along with loading. Loading can be both of resistive (illuminating lamps, resistors) and inductive (solenoids, valves, engines) character.

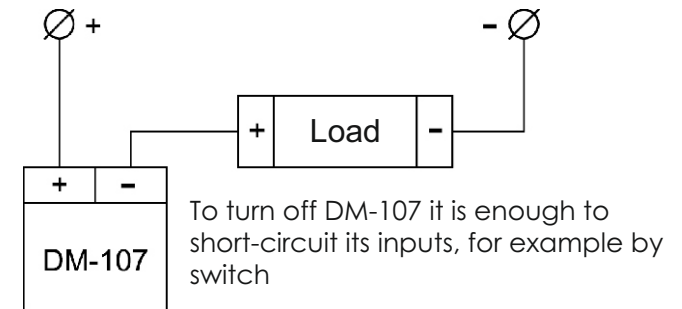
DM-107 having small overall dimensions is a high performance device due to operating principles based on pulse-duration modulation (PDM)

Device power supply can be as direct voltage as pulsating voltage.

## 2. Technical Specification

Supply voltage:	12..30 VDC
Current consumption:	no more than 3 mA
Maximum current consumption:	3 A
Controlled output:	up to 100 W
Tuning range:	0..90%
Main tuning of level:	0..50%
Device frequency:	> 250 Hz
Coefficient of efficiency:	no less than 90%
Operating temperature:	-20..+60 °C

## 3. Device's Connection Scheme

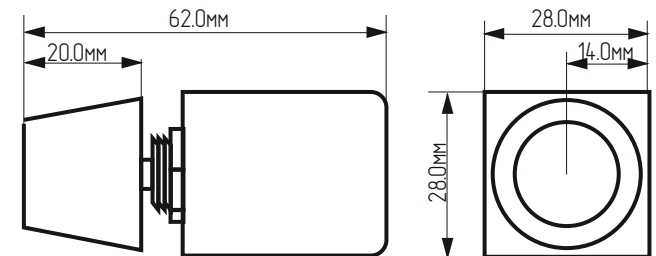


## 4. Dissipation power tuning

Settings are to be effected by experience for a particular task in the following sequence:

1. DM-107 is to be connected with used consumer to check initial dissipated power level set by producer.
2. If initial level doesn't suit it is necessary to determine: to raise or to reduce initial dissipated power level.
3. Trimming resistor controlling initial dissipated power level is set up on device circuit board. Settings shall be done on supplied power and turned handle of main settings to position "minimum". Acceptable initial dissipated power level to be set up by turning trimming resistor.

## 5. DM-107 Overall Dimensions



Panel cutout - circle D10,5 mm  
Maximum panel thickness - 2-3 mm

[www.unicont.spb.ru](http://www.unicont.spb.ru)

Unicont SPb Ltd.

26E, Kibalchicha st., St. Petersburg. Russia. 192174

Phone: +7 (812) 622 23 10

+7 (812) 622 23 11

Fax: +7 (812) 262 76 36