

MOUNT BRAKE RESERVOIR MOUNT



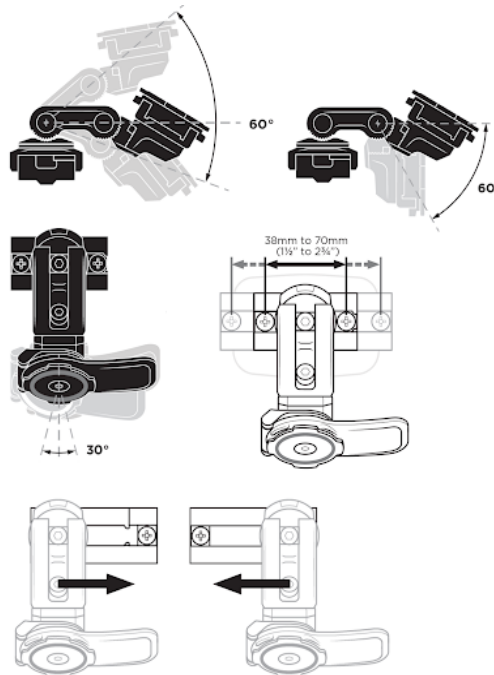
SKU CODE	QLM-BRS
BARCODE (EAN-13)	9348943055376
MSRP	US \$59.99 AU \$84.95 CA \$79.99 EU €59.99 UK £54.99
MANUFACTURED IN	China
HS CODE	392630
HTS CODE (USA)	3926305000
PRIMARY APPLICATIONS	MOTORCYCLE

PRODUCT DETAILS

FEATURES

- Secure mounting to the brake reservoir lid
- Mount hole pitch range from 38 - 70mm (1½" - 2¾")
- Multi-pivot arm adjustment including index head tilt adjustment
- Lateral slide adjustment when mounted on small brake reservoir lids
- High tensile steel fasteners
- Microencapsulated thread locking fasteners

ADJUSTABILITY



COMPATABILITY

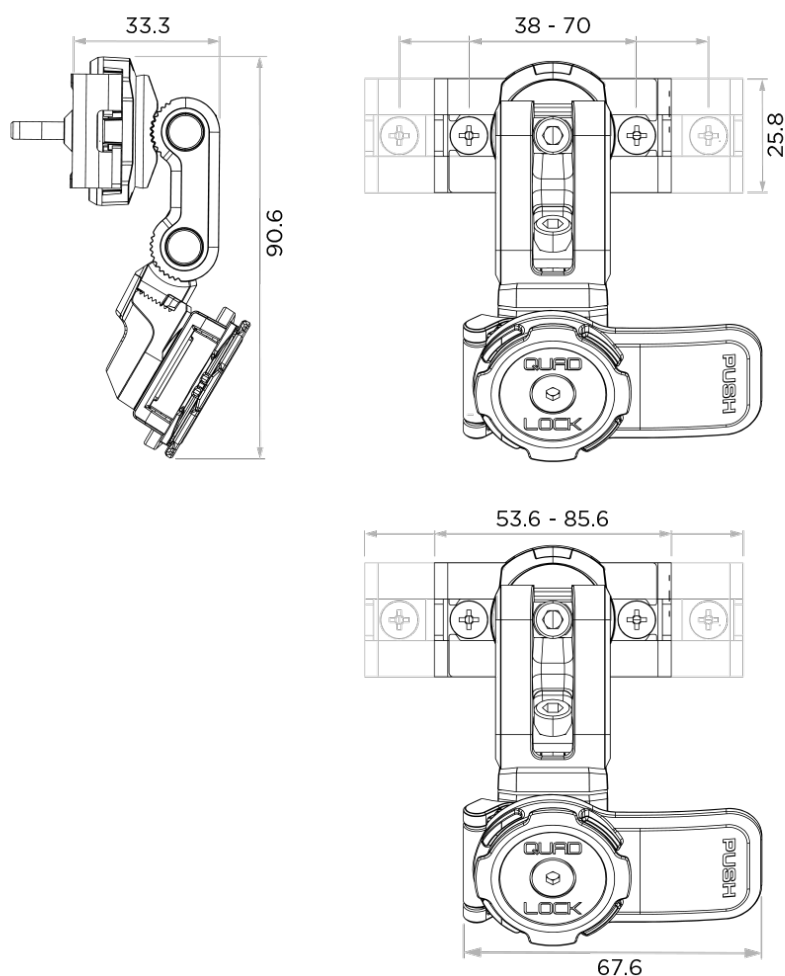
Compatible with:
 All Quad Lock Cases
 Quad Lock Vibration Dampener (QLA-VDM)
 Quad Lock Weatherproof Wireless Charging Heads (QLA-MOT-WCH-3)

INCLUDED IN BOX	1 x Brake Reservoir Mount 2 x M4 x 16, 2 x M4 x 18 1 x Combination 3mm/4mm Hex Key
------------------------	--

MEASUREMENTS	84mm L x 70mm W x 35mm H
---------------------	--------------------------

MATERIALS	Body, pivot arm and index head - GF33% Nylon Pivot pins, threaded Inserts - SS Powder coated bracket - DC54D+AZ Fasteners - High tensile steel with ND593S threadlocker
------------------	--

PRODUCT DETAILS	INDIVIDUAL	INNER CARTON	MASTER CARTON
QTY	-	10 Units	50 Units
SKU CODE	QLM-BRS	10QLM-BRS	50QLM-BRS
BARCODE	9348943055376	19348943055373	29348943055370
DIMENSIONS (L x W x H)	9.5 x 4 x 6.6 cm	41 x 7.5 x 12 cm	42 x 41 x 15 cm
WEIGHT	0.15kg	1.6kg	8.59kg



All dimensions in mm



©2023 QUAD LOCK Pty Ltd
Designed in Melbourne, AUS | Made in China | All Rights Reserved
All trademarks are property of their prospective owners

Head Office: Suite 6A, Level 3, The Como Centre,
299 Toorak Rd, South Yarra, VIC 3141, Australia

QUADLOCKCASE.NET